

Aurum[®]

Bronze Non Return Valve No.-9 Union Bonnet Flanged Ends

Cat. No.: AU-NUF12

Test Pressure Hydraulic

Body:500psi Seat:100psi

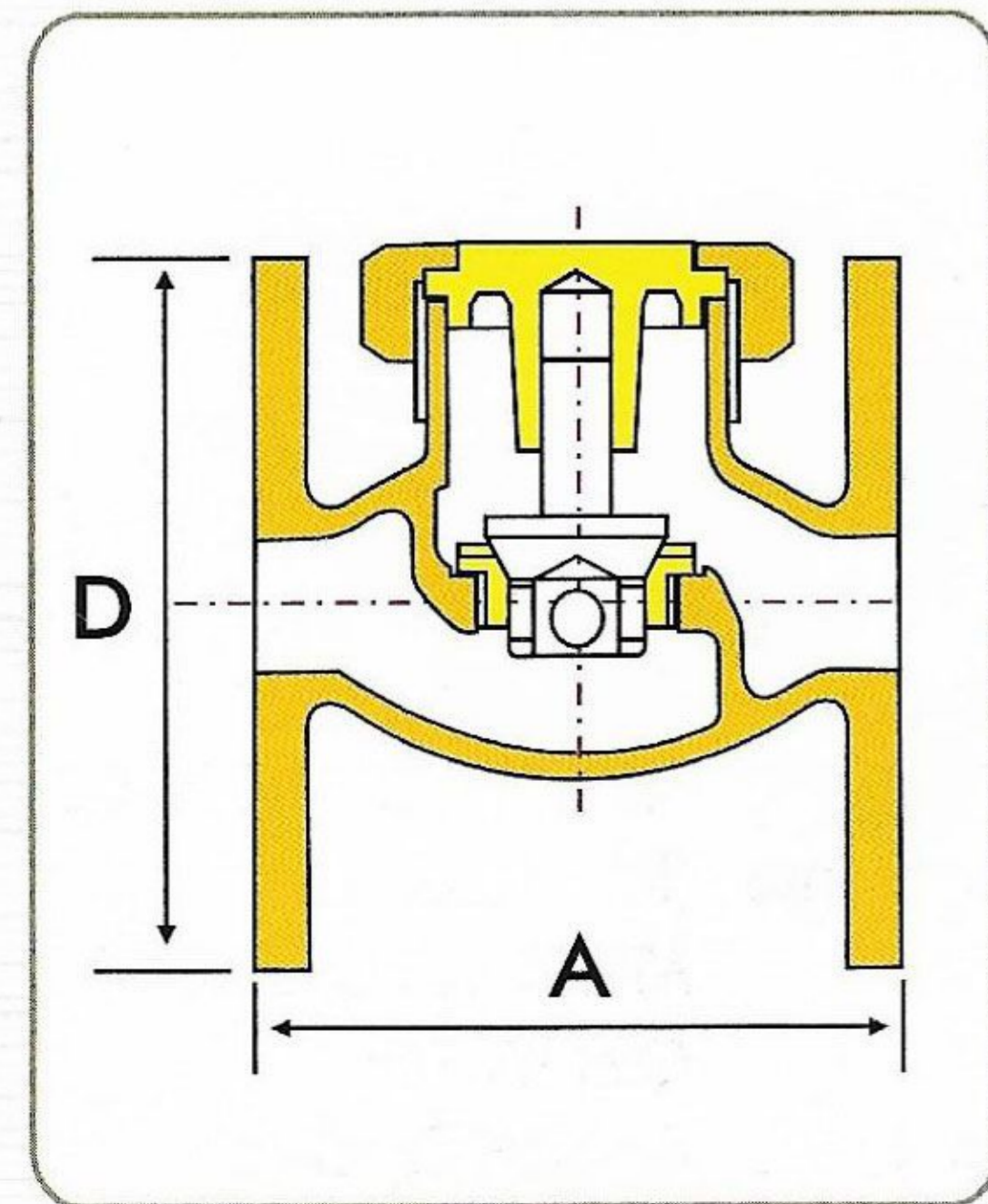
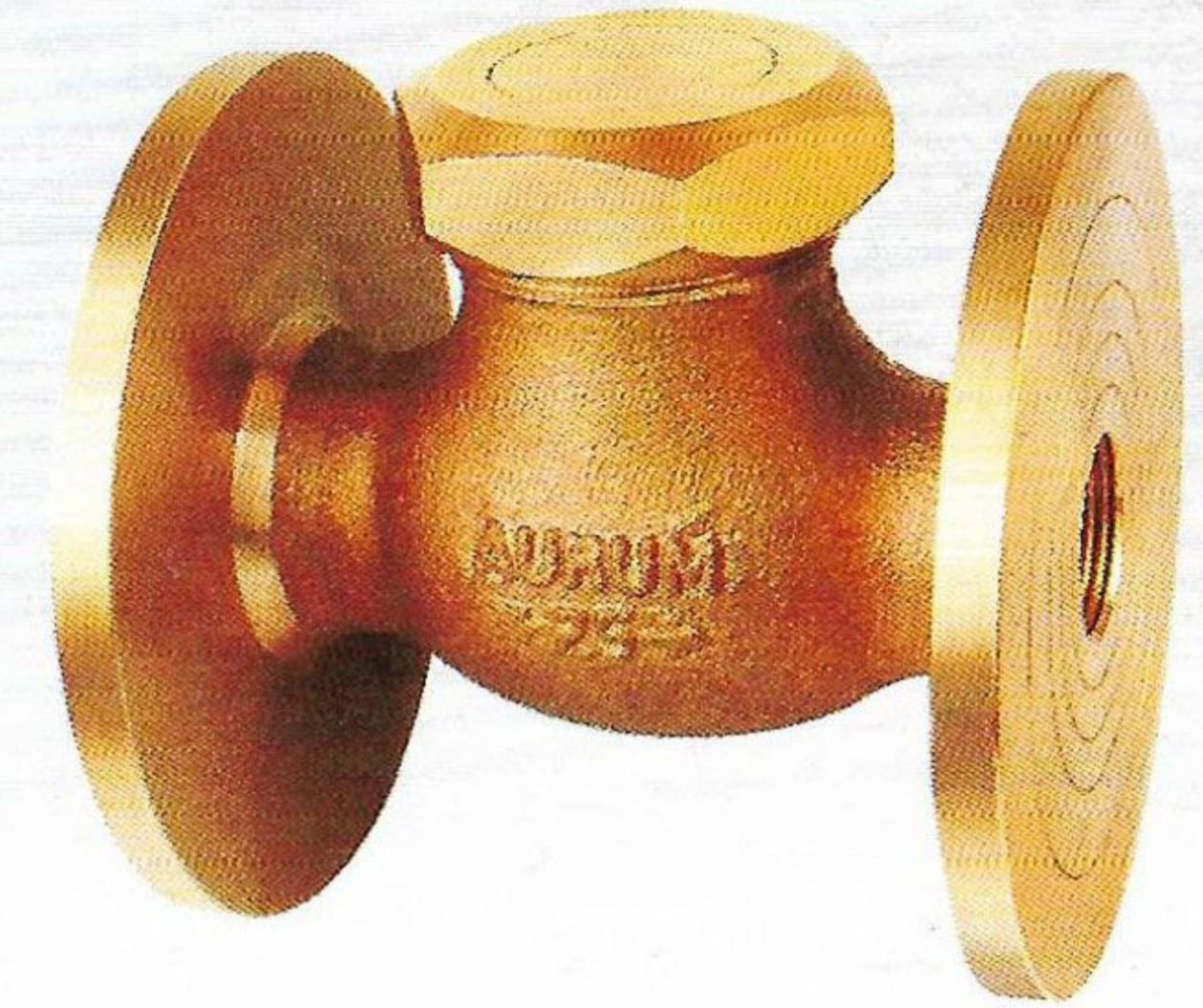
Temp. Range : 10°C to 225°C

SALIENT FEATURES :

- ✓ Flanged Ends to IS:778
- ✓ AISI 410 working parts from extruded rods
- ✓ Screwed-On Bonnet(2 piece), Lift type Seat
- ✓ Renewable Seat and ring
- ✓ Uni-directional flow, for horizontal lines
- ✓ Also Available in PTFE & Rubber Seat.
- ✓ Trouble free performance.
- ✓ Size ranging from 15mm to 100mm.

UTILITY

WATER	AIR	STEAM	OIL	GASES
✓	✓	✓	□	□



DIMENSIONS

Inches	mm	A	D
1/2	15	80	95
3/4	20	95	105
1	25	115	115
1 1/4	32	130	140
1 1/2	40	145	150
2	50	170	165
2 1/2	65	205	185
3	80	225	200

MATERIAL :

Description	Material	Specifications
Union Nut & Cap	Bronze	IS : 318 Gr. LTB2
Body	Bronze	IS : 318 Gr. LTB2
Seat	13% Cr. S.S.	AISI- 410
Seat Ring	13% Cr. S.S.	AISI- 410