

# Aurum®

## Bronze Ball Valve Cum Strainer

Cat. No.: AU-BYS18

Test Pressure Hydraulic

Body & Seat : 300psi

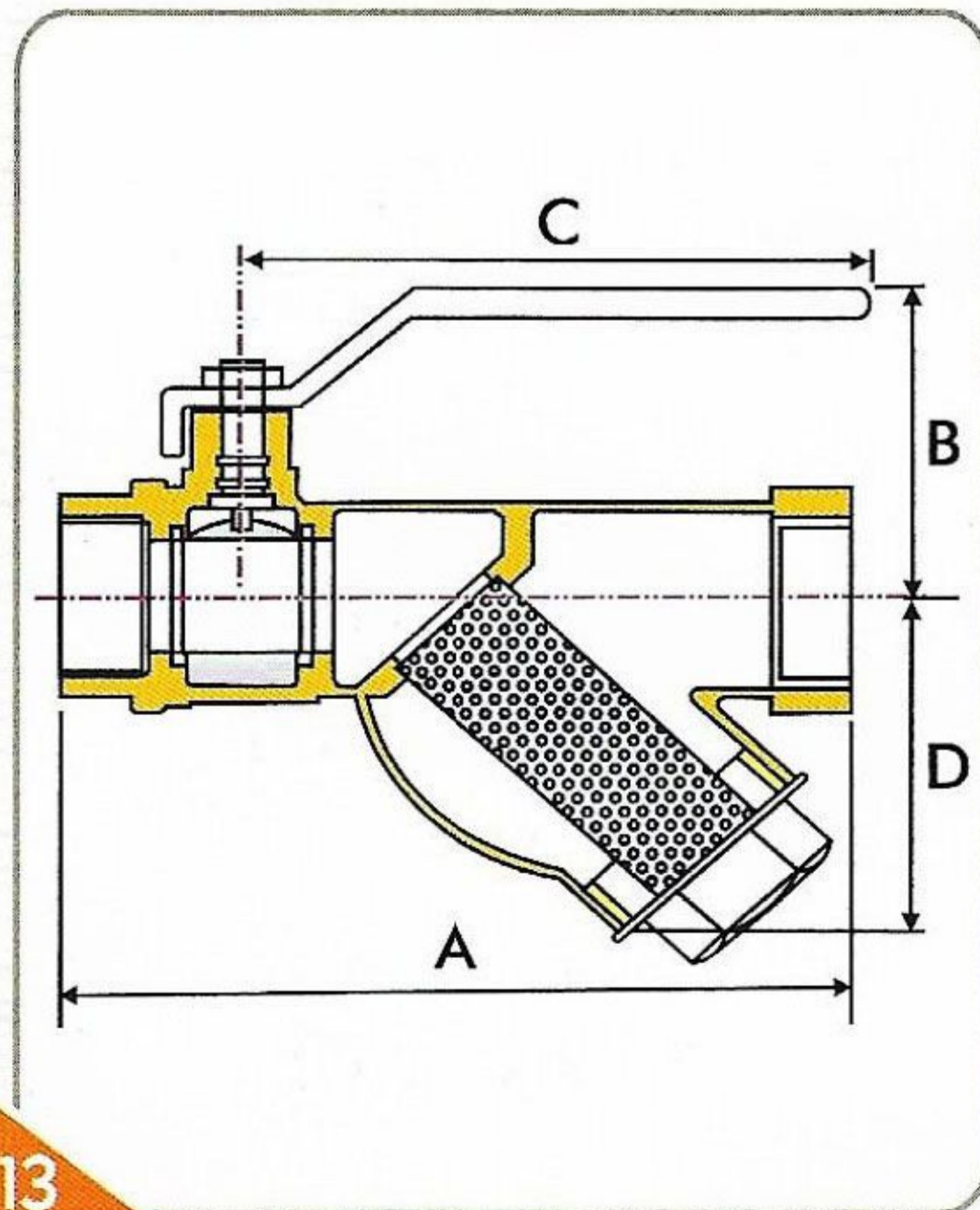
Temp. Range : 10°C to 225°C

### SALIENT FEATURES :

- ✓ Screwed Female Ends to IS:554 BSP.
- ✓ Ball valve designed with integral 'Y' type strainer.
- ✓ Quarter turn, smooth lever operation.
- ✓ Brass Ball and blow-out proof stem.
- ✓ Best quality P.T.F.E. seating & asbestos packing.
- ✓ AISI 304 Mesh(screen) in strainer.
- ✓ Minimum pressure drop.
- ✓ Size ranging from 15mm to 50mm.

### UTILITY

WATER	AIR	STEAM	OIL	GASES
✓	□	□	✓	□



### DIMENSIONS

Inches	mm	A	B	C	D
1/2	15	98	44	96	44
3/4	20	118	55	108	57
1	25	132	60	123	63
1 1/4	32	153	67	170	81
1 1/2	40	198	68	169	101
2	50	202	84	183	108

### MATERIAL :

Description	Material	Specifications
Sleeve	PVC	----
Lock Nut	Mild Steel	IS : 226
Handle	Mild Steel	IS : 226
Rubber Ring	Neoprene	----
Stem	Brass	IS : 6912
Body	Bronze	IS : 318 Gr. LTB2
Ball	Brass	IS : 319
Mesh	Stainless Steel	AISI 304
Plug	Bronze	IS : 318 Gr. LTB2