

Aurum[®]

Gun Metal Check Valve Horizontal Flanged Ends

Cat. No.: AU-NRF06

Test Pressure Hydraulic

Body:300psi Seat:100psi

Temp. Range : 10°C to 225°C

SALIENT FEATURES :

- ✓ Flanged Ends to IS 778.
- ✓ Strictly conforming to IS:778 Class I.
- ✓ Screw-in Bonnet, Lift Type Seat.
- ✓ Trouble free performance.
- ✓ Size Range from 15mm to 100mm.

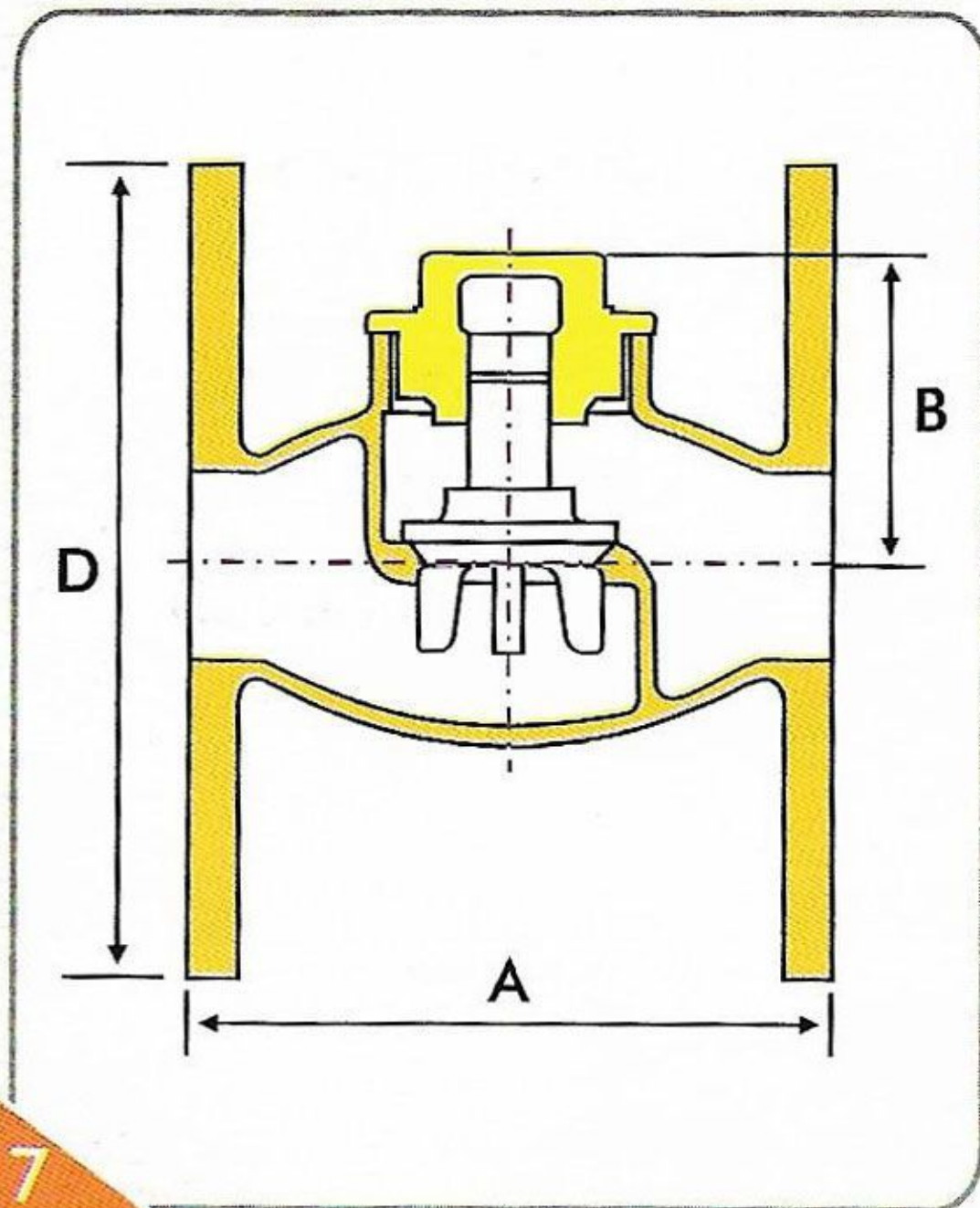
IS:778

Marked



UTILITY

WATER	AIR	STEAM	OIL	GASES
✓	□	□	✓	□



DIMENSIONS

Inches	mm	A	B	D
1/2	15	75	36	95
3/4	20	85	43	105
1	25	95	52	115
1 1/4	32	110	56	140
1 1/2	40	120	69	150
2	50	145	72	165
2 1/2	65	165	82	185
3	80	185	90	200
4	100	216	122	220

MATERIAL :

Description	Material	Specifications
Bonnet	G.M.	IS : 318 Gr. LTB2
Body	G.M.	IS : 318 Gr. LTB2
Disc	G.M.	IS : 318 Gr. LTB2