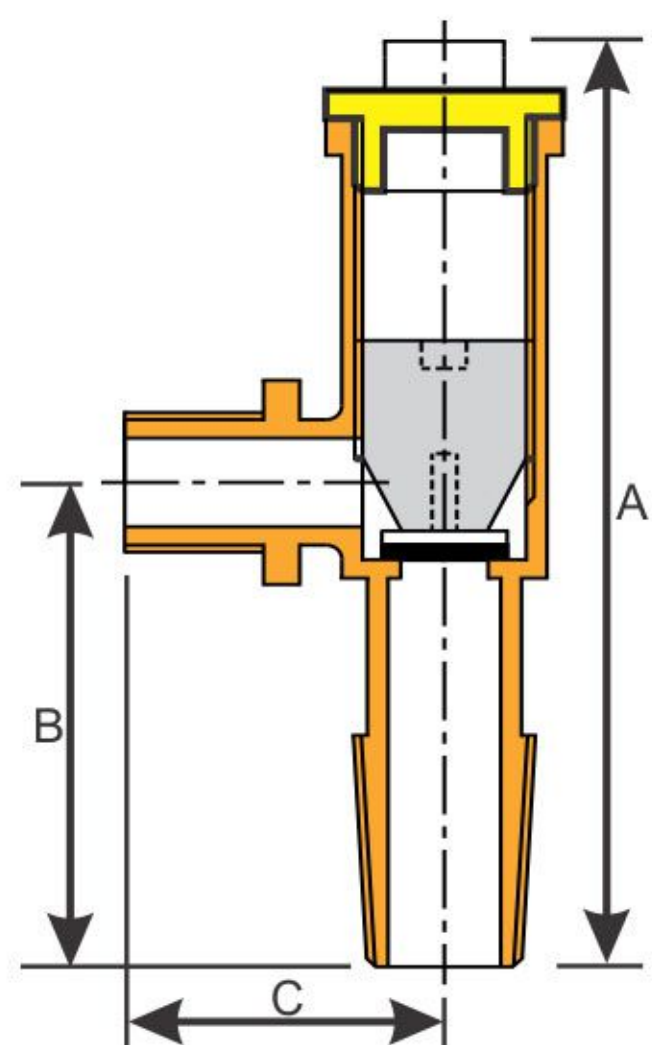


DIMENSIONS

	LIGHT			HEAVY		
Inches	1/4	3/8	1/2	1/2	3/4	1
mm	8	10	15	15	20	25
A	108	110	110	115	141	163
B	56	57	57	58	66	78
C	37	35	37	43	61	71

MATERIAL

Description	Material	Specifications
Body	Bronze	IS: 318 LTB-2
Adjusting Nut	Bronze	IS: 318 LTB-2
Bonnet	Bronze	IS: 318 LTB-2
Jumper Valve (Heavy only)	Brass	IS: 319 Type II
Seat	Synthetic rubber	IS: 5192
Washer	P.T.F.E	



Test Pressure Hydraulic

Body : 300psi Seat : 200psi

Temp. Range : 10°C to 225°C

UTILITY

WATER	AIR	STEAM	OIL	GASES
<input checked="" type="checkbox"/>	<input type="checkbox"/>	<input type="checkbox"/>	<input type="checkbox"/>	<input type="checkbox"/>

SALIENT FEATURES

- Screwed Male BSP at Inlet and outlet ✓
- Enclosed Side Discharge at right angle ✓
- Fitted with jumper valve (Heavy only) ✓
- Especially designed for municipal water lines ✓
for domestic use
- Fitted with adjusting nut to control, ✓
open or stop the flow
- Reliable with trouble free performance ✓
- Size range from 8mm to 25mm ✓

Cat. No. : AP-FC08

**Gun Metal
Ferrule Valve**

